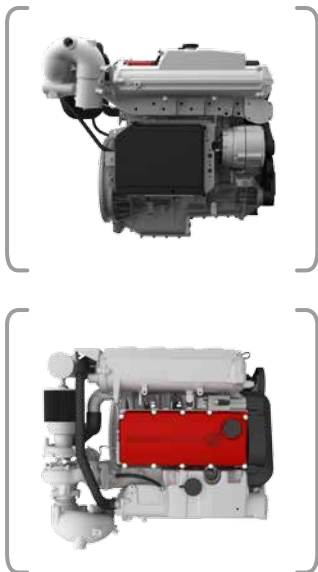
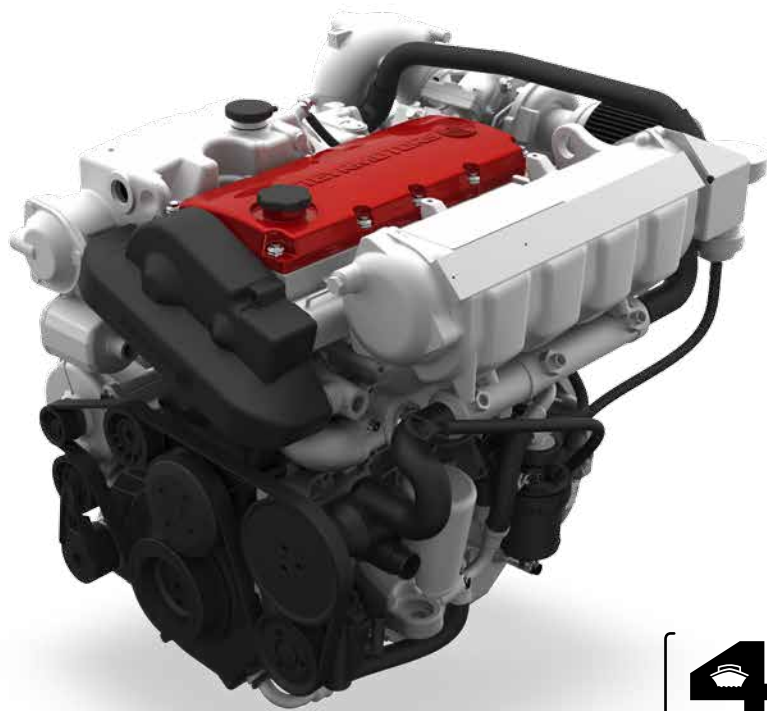


# MO 4-CYLINDER MARINE ENGINES

## FACTS

- Power range: 55 - 125 kW
- Displacement: 2.1 lt
- Dry weight: 243 - 276 kg



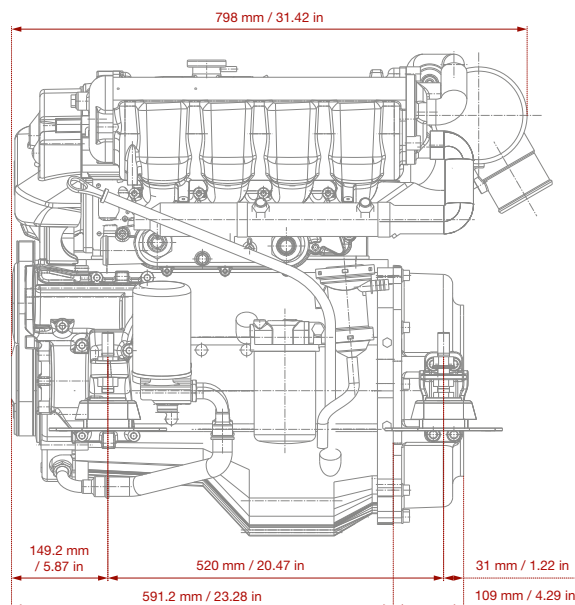
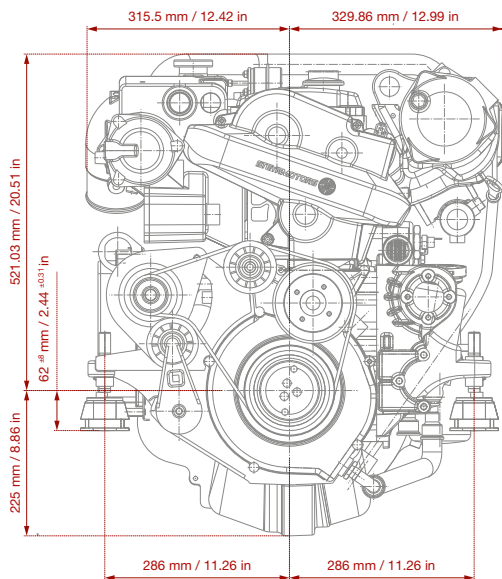
The MO 4-cylinder engine series of STEYR MOTORS comprises long established, globally trusted engines based on the unique Monoblock design with patented 2-stage unit injection technology. Besides an outstanding power to weight ratio, the series' supreme operational safety, robustness and long service life are highly appreciated on the market.

## MAIN FEATURES

- Perfectly suited for commercial and leisure applications
- Dual circuit cooling system with corrosion resistant materials
- Excellent performance and highest durability
- Compact and lightweight design
- SOLAS approved, EPA Tier II and RCD compliant
- Different drive systems can be installed
- Standard 12 V alternator, optional 24 V available
- Preparation for keel cooling and many other options & kits available



See more applications on our website or contact us for further references.



	<b>MO84K32</b>	<b>MO94K33</b>	<b>MO114K33</b>	<b>MO144M38</b>	<b>MO164M40</b>	<b>MO174V40</b>
<b>RATED POWER (KW/HP)</b>	55/75	66/90	81/110	106/144	120/163	125/170
<b>RATED SPEED (RPM)</b>	3200	3300	3300	3800	4000	4000
<b>MAX. TORQUE (NM @ RPM)</b>	190 @ 2050	210 @ 2800	255 @ 2500	288 @ 2500	320 @ 2800	330 @ 2000
<b>DRY WEIGHT (KG)</b>	243	243	255	258	258	276
<b>CERTIFICATES</b>	SOLAS, RCD	SOLAS, RCD	SOLAS, RCD, EPA Tier II	SOLAS, RCD, BSO II, EPA Tier II	SOLAS, RCD, BSO II, EPA Tier II	SOLAS, RCD, EPA Tier II
<b>PROPULSION SYSTEMS</b>						
<b>T</b> TRANSMISSION <b>S</b> STERNDRIVE <b>J</b> WATER JET	<b>T</b> <b>J</b>	<b>T</b> <b>J</b>	<b>T</b> <b>J</b>	<b>T</b> <b>J</b>	<b>T</b> <b>J</b>	<b>T</b> <b>S</b>

#### OVERALL CHARACTERISTICS

- Direct injection Diesel engines
- 4-stroke, turbocharged
- 2.1 lt displacement
- 85 mm bore, 94 mm stroke
- Dual circuit cooling / Fresh water cooling